

Technical data sheet

Product features



glass gas pan

Model	SAP Code	00020633
--------------	-----------------	----------



- Bottom material: Steel
- Bottom thickness: 12.00
- Usable volume [l]: 50
- Ignition: Piezo
- Tilting: Motorised
- Filling: Mechanical cock
- Type of pan: Tilting
- Basin shape: Practically shaped bathtub spout to minimize spillage
- Protection of controls: IP24
- Service accessibility: Trough the frontal panel

SAP Code	00020633	Power gas [kW]	12.000
Net Width [mm]	800	Type of gas	Natural gas, propane butane
Net Depth [mm]	730	Bottom material	Steel
Net Height [mm]	900	Usable volume [l]	50
Net Weight [kg]	163.40	Tilting	Motorised

Technical data sheet

Technical drawing

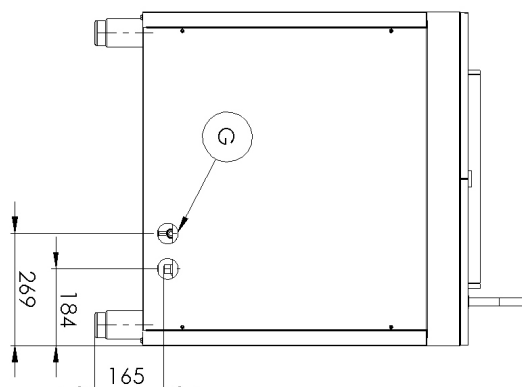
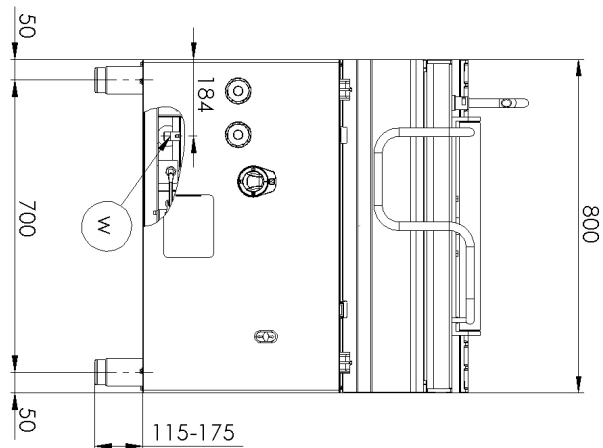
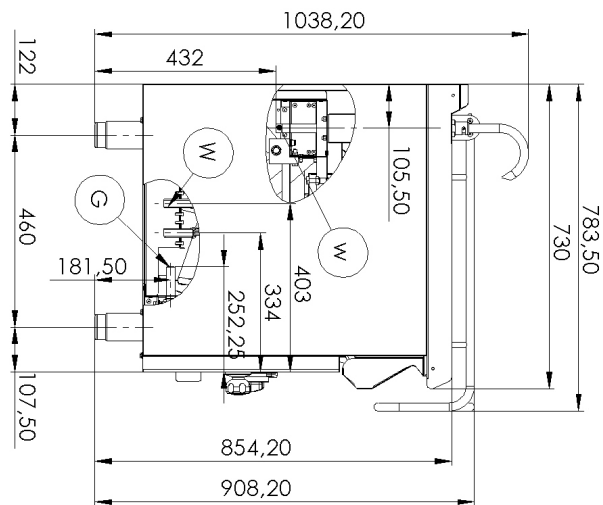


glass gas pan

Model

SAP Code

00020633



Technical data sheet

Technical parameters



glass gas pan

Model

SAP Code

00020633

1. SAP Code:

00020633

2. Net Width [mm]:

800

3. Net Depth [mm]:

730

4. Net Height [mm]:

900

5. Net Weight [kg]:

163.40

6. Gross Width [mm]:

840

7. Gross depth [mm]:

800

8. Gross Height [mm]:

1080

9. Gross Weight [kg]:

173.50

10. Device type:

Gas unit

11. Construction type of device:

Stationary

12. Power gas [kW]:

12.000

13. Ignition:

Piezo

14. Type of gas:

Natural gas, propane butane

15. Protection of controls:

IP24

16. Exterior color of the device:

Stainless steel

17. Material:

AISI 304 top plate and cladding

18. Indicators:

operation and warm-up

19. Worktop type:

Molded - comfortable cleaning maintenance

20. Worktop material:

AISI 304

21. Worktop Thickness [mm]:

1.50

22. Surface finish:

polished stainless steel

23. Device heating type:

Indirect

24. Maximum device temperature [°C]:

300

25. Minimum device temperature [°C]:

50

26. Service accessibility:

Trough the frontal panel

27. Safety thermocouple:

Yes

28. Adjustable feet:

Yes

Technical data sheet

Technical parameters



glass gas pan

Model

SAP Code

00020633

29. Tilting:

Motorised

33. Usable volume [l]:

50

30. Bottom thickness:

12.00

34. Filling:

Mechanical cock

31. Bottom material:

Steel

35. Basin shape:

Practically shaped bathtub spout to minimize spillage

32. Type of pan:

Tilting

36. Water filling type:

Both cold and warm